

# Advantage<sup>®</sup> 2.1 Actuator

**P** The Advantage 2.1 actuator is the latest evolution in performance of the time-tested Advantage actuator series, the mainstay of the bioprocessing industry for the past 20 years. The Advantage 2.1 has an innovative patent pending compressor attachment method that allows for interchangeability between PTFE and elastomer diaphragms without actuator disassembly.



Type: Diaphragm Actuator  
 Size Range: 0.5–2" (DN15–DN50)  
 Operating Modes: Fail close, fail open, double acting  
 Max Service Pressure: 10.3 bar (150 psig)  
 See sizing charts on pages G3–G5 for exact shutoff pressures  
 Max Service Temperature: 300°F (150°C)  
 Max Actuator Chamber Pressure: 6.2 bar (90 psig)  
 Corrosion Resistance: Resists alcohol, chloride and most caustic washdowns  
 Autoclavable<sup>1</sup>

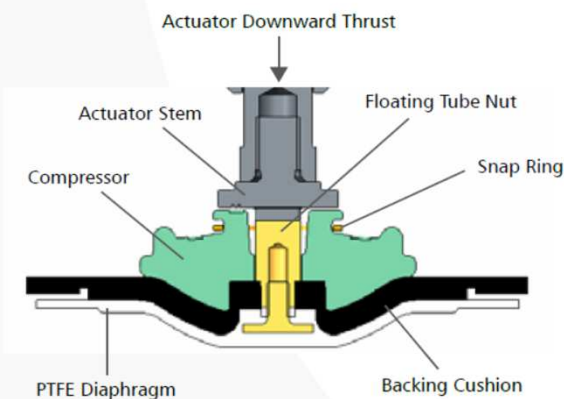
<sup>1</sup> Steam at 257°F (125°C) for 25 minutes.

## Diaphragm Compressor Attachment

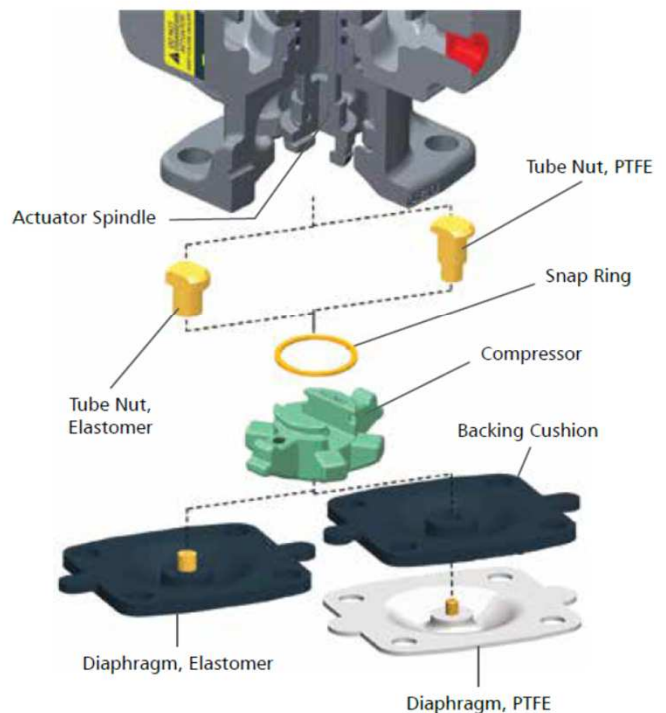
Advantage 2.1 and ACS feature a modular compressor design for quick changeover between PTFE and elastomer diaphragms. No actuator disassembly is required for diaphragm type changes. The modular design is compatible with all Pure-Flo diaphragm types.

The modular compressor design features a stainless steel compressor and tube. The key to the modular system is a robust stainless steel tube nut that allows compressor float, ensuring even distribution of actuation closing forces. This concept minimizes diaphragm point loading. Diaphragm change over kits will be available.

Topworks



Note: Patent Pending Compressor Design



## VALVULAS Y PROCESOS 2007, S.L.

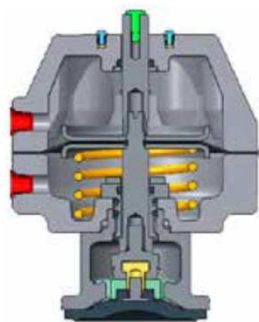
Orfeo Català, nr. 9  
 Pol. Ind. Sud  
 08440 - CARDEDEU  
 SPAIN

TEL: 00 34 93 755 20 56  
 FAX: 00 34 93 755 17 75  
 e-mail: [jpicallo@vypsl.es](mailto:jpicallo@vypsl.es)  
 VAT: ESB64719958

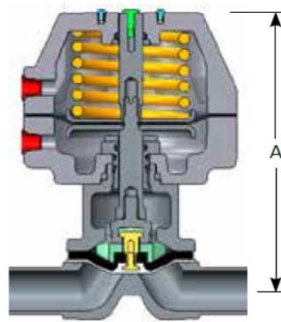
# Advantage<sup>®</sup> 2.1 Weights & Dimensions

## Dimensions

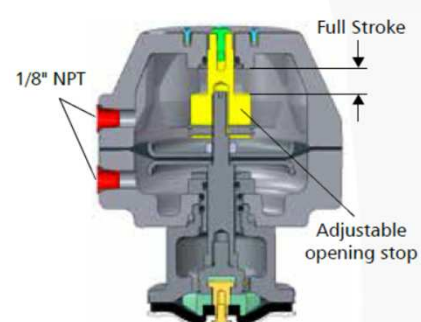
Valve Size		A Valve Open		C		D	
Inch	DN	in	mm	in	mm	in	mm
0.25	6	4.31	109,5				
0.38	10	4.31	109,5				
0.50	15	4.31	109,5				
0.50	15	4.87	123,7	3.34	85	3.00	76
0.75	20	6.06	153,9	4.56	116	3.88	98
1.00	25	6.56	166,6	4.56	116	3.88	98
1.50	40	10.42	264,7	6.41	163	5.94	151
2.00	50	11.16	283,5	6.41	163	5.94	151



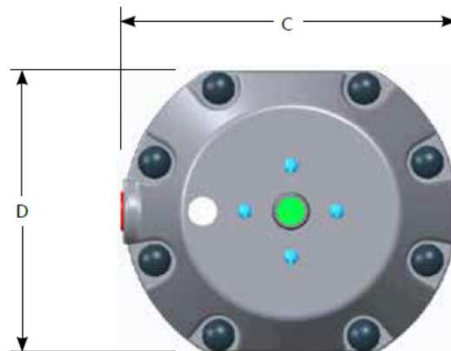
Fail Open  
(Spring-to-Open, Air-to-Close)



Fail Close  
(Air-to-Open, Spring-to-Close)



Optional Adjustable Opening Stop  
(AOS)



## Actuator Weights (Less Body)

Valve Size		Double Acting		Fail Open		Fail Close	
Inch	DN	Lbs.	Kg.	Lbs.	Kg.	Lbs.	Kg.
0.50	15	2.00	0,91	2.09	0,95	2.34	1,06
0.75	20	3.69	1,67	3.78	1,71	4.34	1,97
1.00	25	4.47	2,03	4.59	2,08	5.16	2,34
1.50	40	12.10	5,49	12.60	5,71	16.44	7,46
2.00	50	15.16	6,88	15.66	7,10	19.50	8,84

## VALVULAS Y PROCESOS 2007, S.L.

Orfeo Català, nr. 9  
Pol. Ind. Sud  
08440 - CARDEDEU  
SPAIN

TEL: 00 34 93 755 20 56  
FAX: 00 34 93 755 17 75  
e-mail: [jpicallo@vypl.es](mailto:jpicallo@vypl.es)  
VAT: ESB64719958

## Advantage<sup>®</sup> Compact Stainless (ACS)

**P** The Advantage<sup>®</sup> Compact Stainless (ACS) is the latest addition to the process proven Advantage Actuator product line. Designed as a maintenance-free actuator, it is engineered to handle the most demanding requirements of the bioprocessing and pharmaceutical industries. The stainless steel construction of the ACS is suited for severe duty applications, such as SIP and high-cycle applications. It has been subjected to extensive life-cycle testing that far exceeds industry requirements.

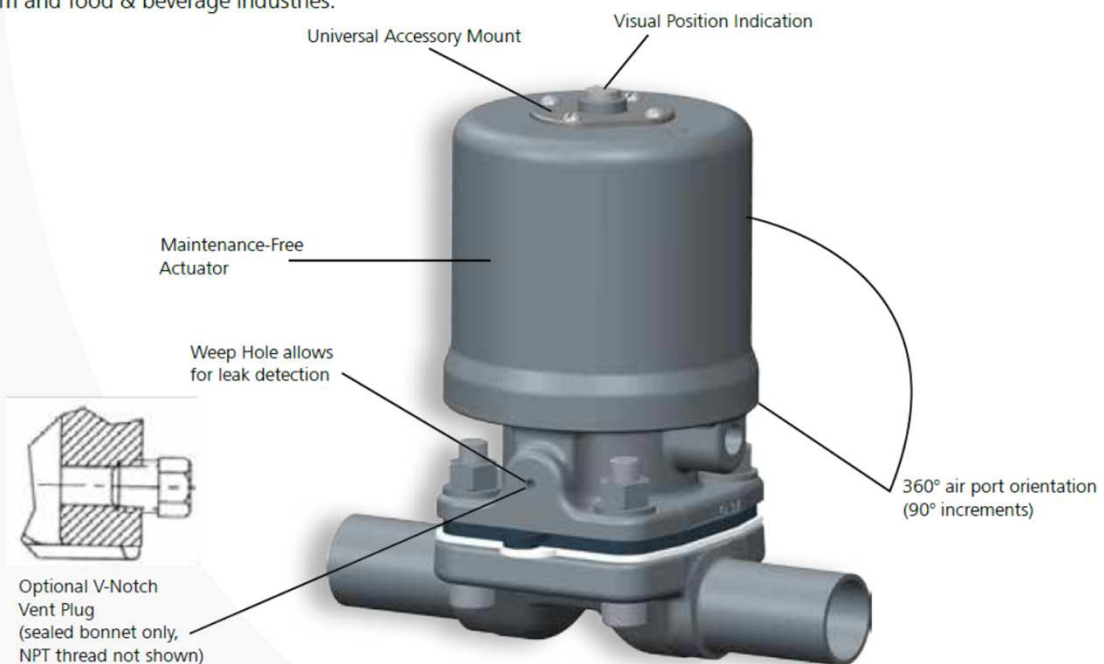
The compact size of the ACS provides the utmost in design flexibility. It allows for space-saving system designs, further minimizing holdup volumes that are critical to increasing efficiency and saving time and money. Engineering improvements in the ACS offer a cost-effective alternative for clean-room use, lab environments and other critical applications. With a stainless steel exterior, the ACS is perfect for clean-room applications requiring both aesthetics and washdown compatibility.

All of this makes the ACS a versatile, feature-packed, cost-effective option for the demanding biopharm and food & beverage industries.



Type: Piston Actuator  
 Size Range: 0.25–2" (DN6–DN50) (Bio-Pure size)  
 Operating Modes: Fail close, fail open, double acting  
 Max Service Pressure: 10.3 bar (150 psig)  
 See sizing charts on pages G6–G8 for exact shutoff pressures  
 Max Service Temperature: 300°F (150°C)  
 Max Autoclave Temperature: 273°F (134°C)  
 Max Actuator Chamber Pressure: 6.2 bar (90 psig)  
 Corrosion Resistance: Resists alcohol, chloride and most caustic washdowns

Topworks

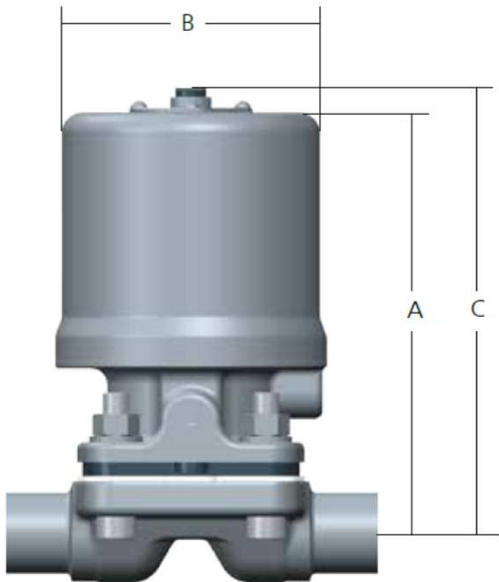


### VALVULAS Y PROCESOS 2007, S.L.

Orfeó Català, nr. 9  
 Pol. Ind. Sud  
 08440 - CARDEDEU  
 SPAIN

TEL: 00 34 93 755 20 56  
 FAX: 00 34 93 755 17 75  
 e-mail: [jpicallo@vypl.es](mailto:jpicallo@vypl.es)  
 VAT: ESB64719958

## ACS Weights & Dimensions



### Dimensions with Forged Body & Weights (less body)

Valve Size		A		B		C		Actuator Weight (less body)					
Inch	DN	in	mm	in	mm	in	mm	Fail Close		Fail Open		Double Acting	
								Lbs.	Kg	Lbs.	Kg	Lbs.	Kg
BP	BP	3.55	90,2	1.75	44,5	3.9	99,1	1.2	0,55	1.2	0,55	1.2	0,55
0.50	15	4.24	107,7	2.62	66,5	4.49	114,0	2.4	1,1	2.1	1,0	2.3	1,0
0.75	20	5.18	131,6	3.12	79,2	5.56	141,2	3.5	1,6	3.0	1,4	3.3	1,5
1.00	25	5.44	138,2	3.12	79,2	5.94	150,9	4.0	1,8	3.1	1,4	3.4	1,5
1.50	40	9.05	229,9	4.62	117,3	9.86	250,4	14.3	6,5	10.3	4,6	10.9	4,9

### VALVULAS Y PROCESOS 2007, S.L.

Orfeo Català, nr. 9

Pol. Ind. Sud

08440 - CARDEDEU

SPAIN

TEL:

FAX:

e-mail:

VAT:

00 34 93 755 20 56

00 34 93 755 17 75

[jpicallo@vypl.es](mailto:jpicallo@vypl.es)

ESB64719958